

Chartham Beyond Back to Wall WC



Code
CHWC121

Description

Chartham Beyond back to wall rimless standard WC pan with horizontal outlet

Features

- Ultra-sleek easy clean design
- Standard height & projection
- Rimless flushing

Flushing options:

CIST101: Mirage concealed dual flush lever cistern.

CIST102: Mirage concealed dual flush dimple lever cistern.

CIST103: Miniflo concealed single flush cistern with square button.

CIST104: Miniflo concealed dual flush cistern with square button.

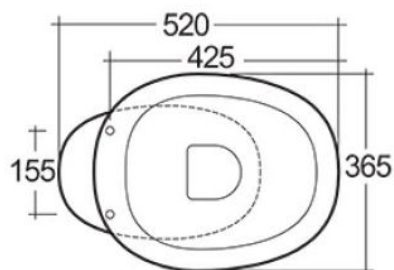
CIST105: Miniflo concealed single flush cistern with palm push button.

CIST106: Miniflo concealed single flush cistern with metal vandal resistant button.

CIST107: Miniflo concealed dual flush cistern with Oyster push plate.

CIST108: Miniflo concealed single flush cistern with sensor flush – battery powered

CIST109: Miniflo concealed dual flush cistern with sensor flush – battery powered



Seat Options:

CHWC124: Chartham Beyond slim soft close seat and cover

Pan Fixings:

Floor fixing pack supplied

Pan Connections:

TSWC115: Convert to P trap.

Material

Vitreous china to BS 3402

Finish

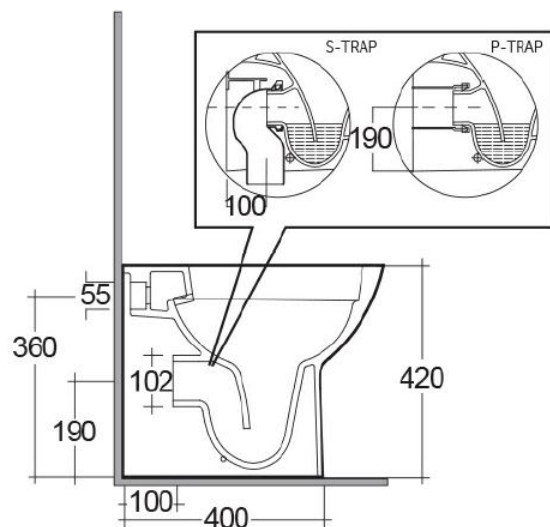
Alpine White

Size

365 x 520 x 420 mm

Weight

24kg



Dimensions: All dimensions in mm tolerance $\pm 5\%$ for below 200mm and $\pm 3\%$ for above 200mm.

call us 01474 335430
e-mail us sales@theswc.co.uk
visit us www.theswc.co.uk

the
sanitaryware
company





Chartham Beyond Standard Slim Seat and Cover

Code

CHWC125

Features

- Standard close seat and cover
- Slim line design
- Top fixing metal hinges
- Recommended for higher use areas

Compatible With:

CHWC121: Chartham Beyond wall hung WC.

CHWC122: Chartham Beyond back to wall WC.

Material

Plastic

Finish

White

Weight

3.0kg



Applications

Top access concealed reversible cistern with AXIS Technology™ creating multiple inlet and outlet options as standard from the same unit. Perfectly designed to be mounted behind IPS, within compact voids or on GRP, Timber and Steel frames.

Water Saving

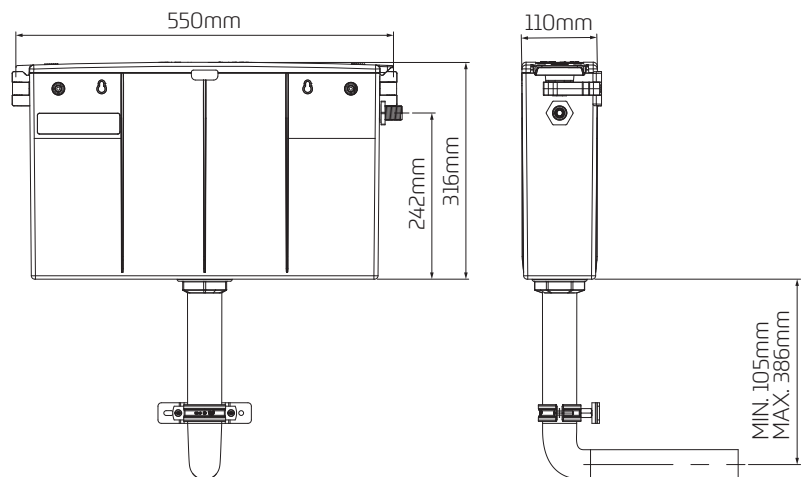
Excellent water saving from the factory set Dudley Niagara valve at 6/4 ltr. Outstanding water saving performance when setting the Dudley Niagara valve to 4/2.6ltr dual flush combined with the Hydroflo 7 second compact inlet valve.

Features

- ~ WRAS Approved Dudley Niagara pneumatic flush valve
- ~ WRAS Approved Dudley Hydroflo AG 7s Compact brass tail inlet valve (2020 WATER REGS)
- ~ Fluid category 5 cistern
- ~ Easy top access with reversible SnapLock lid™
- ~ Flush Pipe Stability System (FPSS™) with SureLock™ Bracket
- ~ Unique reversible cistern body due to AXIS Technology™ achieving multiple outlet and inlet options
- ~ Factory Assembled
- ~ Pneumatic push button / plate can be installed up to 250mm away from cistern
- ~ Multiple flushing volumes: 6/4, 5/3, 4/2.6 ltr
- ~ Compatible with a range of Dudley push buttons, flush plates and infrared controls
- ~ 90° tight radius push fit flush pipe (Min. 105mm - Max. 386mm)



Dimensional Data



Technical Data

Material	High Density Polystyrene (PS)
Inlet	Dudley Hydroflo Compact: Side or Bottom
Outlet	Dudley Niagara: Pneumatic (Centre outlet) 120mm offset also available
Flush Volume	Dual Flush 6/4, 5/3, 4/2.6 Litre or Single Flush 6, 5, 4 Litre
Product Code	377201



Applications

Touch free infrared WC flushing for use with Dudley Niagara Pneumatic Flush Valve, typically used in Dudley Vantage, Miniflo and OSMO T1 concealed cisterns.

Ideal for use in bathroom furniture and behind tiles, partitioning or IPS panelling within domestic or commercial environments.

Water Saving

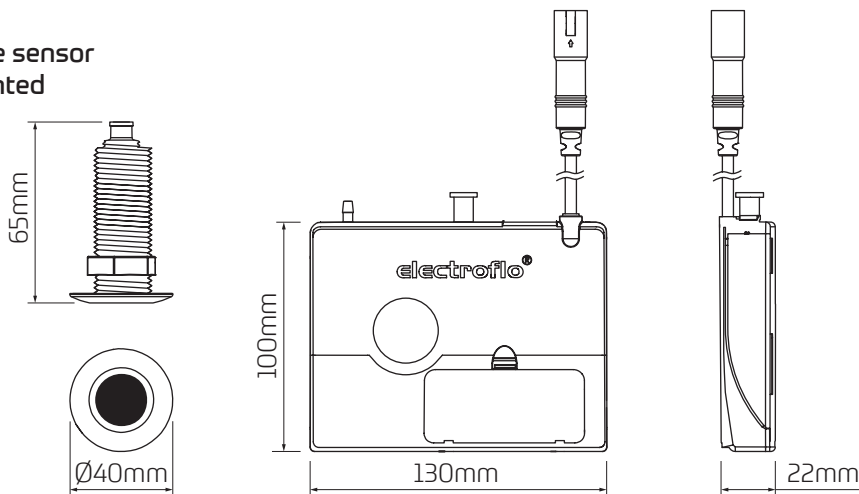
Dual flush functionality can deliver 6/4, 5/3 or 4/2.6 litre flush volumes.

Features

- ~ Discreet Ø40mm IR sensor available in chrome and matt black finishes or machined 304 stainless steel
- ~ Sensor detects a plurality of hand gestures; wave for full flush, hold hand in front of sensor for reduced flush
- ~ LED flush indication
- ~ Post flush sensor delay allows the cistern to refill before another flush can be delivered
- ~ Control box can be integrally mounted with the sensor at the rear of the panel or independently mounted onto a suitable flat surface
- ~ Mains or battery options available.



Dimensional Data



Technical Data

Operating Voltage	6V DC
Mains Supply	230V AC 50Hz
Battery Supply	4 x 1.5V AA
Sensor Cable Length	400mm
Sensor Activation Range	Up to 50mm
Ingress Protection	IP44
Max. Wall Thickness	Up to 45mm (170mm with separate extension kit)
Product Code	324468