

## Kemsley Mono Basin Mixer Tap - Chrome

**Code**  
KMBW101

**Description**  
Kemsley deck mounted mono basin mixer tap with press top waste.

**Features**

- Cold start position
- Complete with press top waste
- Ceramic cartridge
- Slim aerator
- Supplied with M10 flexi-tails
- WRAS approved
- Available in 4 finishes

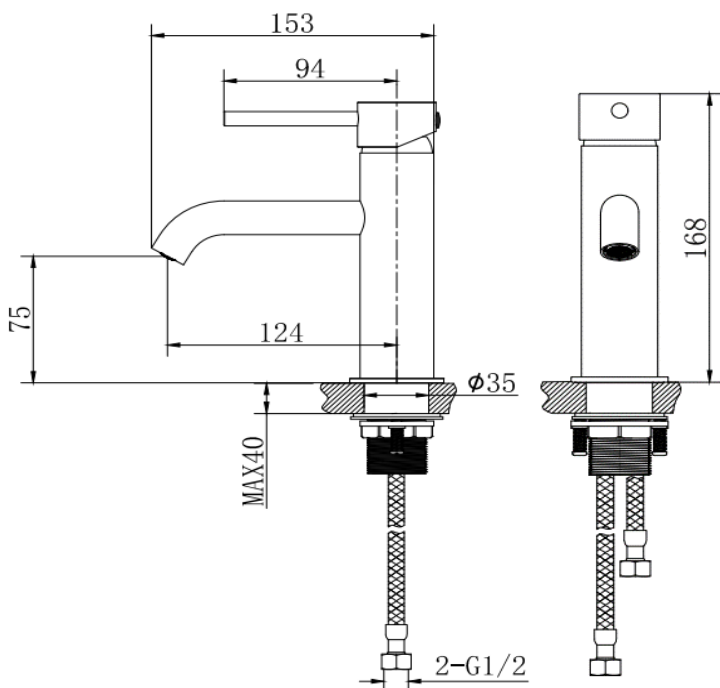
**Technical Specification:**

Max perating pressure: 6.0 bar  
Min operating pressure: 0.5 bar

**Finish:**  
Chrome

**Flow Rate (Bar – Ltr/Min):**

Bar	0.5	1.0	2.0	3.0		
Un-regulated	4.6	6.0	8.3	10.2		



## Kemsley Mono Basin Mixer Tap - Matt Black

**Code**  
KMBW101MB

**Description**  
Kemsley deck mounted mono basin mixer tap with press top waste.

### Features

- Cold start position
- Complete with press top waste
- Ceramic cartridge
- Slim aerator
- Supplied with M10 flexi-tails
- WRAS approved
- Available in 4 finishes

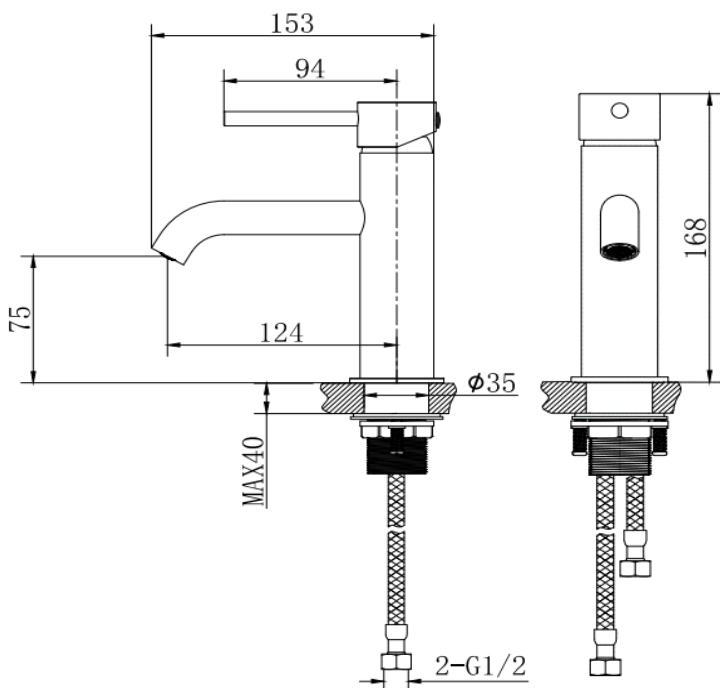
### Technical Specification:

Max operating pressure: 6.0 bar  
Min operating pressure: 0.5 bar

**Finish:**  
Matt Black

### Flow Rate (Bar – Ltr/Min):

Bar	0.5	1.0	2.0	3.0		
Un-regulated	4.6	6.0	8.3	10.2		



## Kemsley Mono Basin Mixer Tap - Gunmetal Grey

**Code**  
KMBW101MG

**Description**  
Kemsley deck mounted mono basin mixer tap with press top waste.

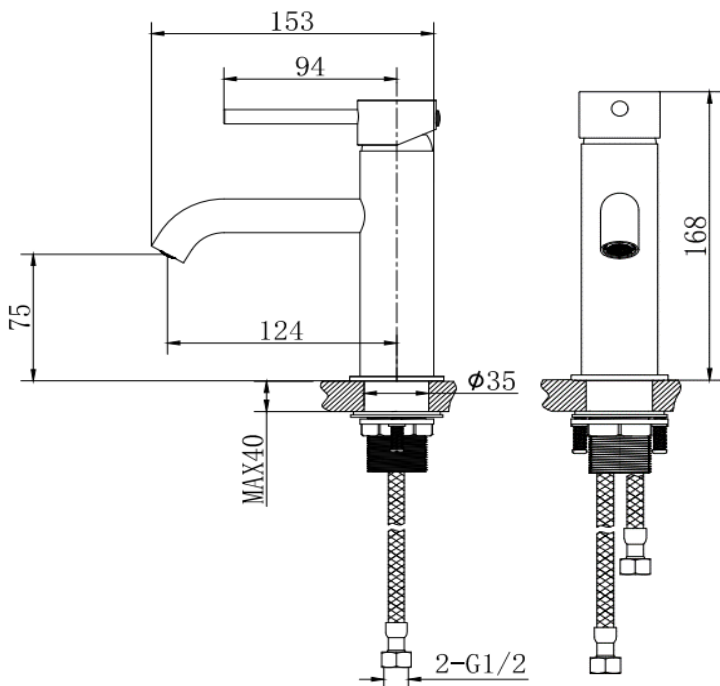
- Features**
- Cold start position
  - Complete with press top waste
  - Ceramic cartridge
  - Slim aerator
  - Supplied with M10 flexi-tails
  - WRAS approved
  - Available in 4 finishes

**Technical Specification:**  
Max operating pressure: 6.0 bar  
Min operating pressure: 0.5 bar

**Finish:**  
Gunmetal Grey

**Flow Rate (Bar – Ltr/Min):**

Bar	0.5	1.0	2.0	3.0		
Un-regulated	4.6	6.0	8.3	10.2		





## Kemsley Mono Basin Mixer Tap - Brushed Brass

**Code**  
KMBW101BB

**Description**  
Kemsley deck mounted mono basin mixer tap with press top waste.

- Features**
- Cold start position
  - Complete with press top waste
  - Ceramic cartridge
  - Slim aerator
  - Supplied with M10 flexi-tails
  - WRAS approved
  - Available in 4 finishes

**Technical Specification:**  
Max operating pressure: 6.0 bar  
Min operating pressure: 0.5 bar

**Finish:**  
Brushed Brass

**Flow Rate (Bar – Ltr/Min):**

Bar	0.5	1.0	2.0	3.0		
Un-regulated	4.6	6.0	8.3	10.2		

