



## Chartham Semi-Recessed Basin 450, RHTH

**Code**  
CHWB109

### Description

Chartham 450mm semi-recessed vanity basin, right hand tap hole with overflow and chain stay hole.

### Features

- Ultra-sleek modern design
- Overflow
- Bottom outlet for ease of maintenance
- Template provided in box
- Entry level range suitable for all sectors excluding healthcare

### Alternative Option

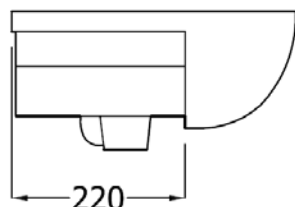
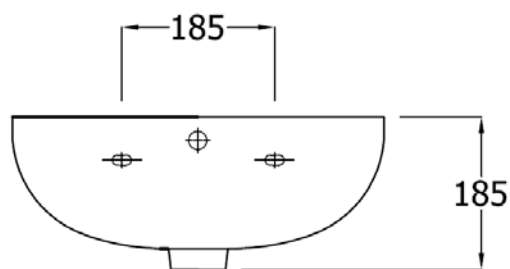
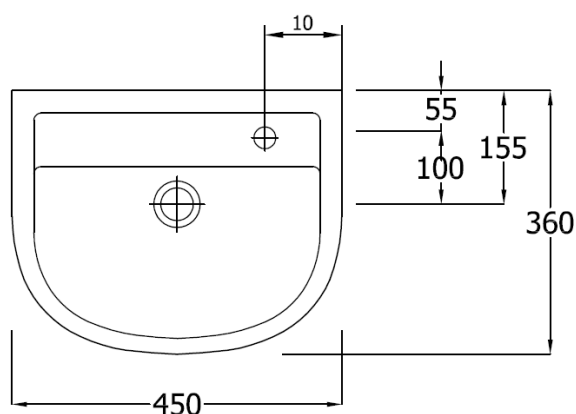
**CHWB108:** Chartham 450mm semi-recessed vanity basin, two tap holes with overflow and chainstay.

### Trap Options

- A10R:** 1 1/4" resealing plastic bottle trap  
**TSWC112:** 1 1/4" metal bottle trap  
**TSWC114:** 1 1/4" modern metal bottle trap

### Waste Options

- TSWC101:** 1 1/4" strainer waste 80mm, slotted  
**TSWC103:** 1 1/4" swivel waste, slotted  
**TSWC105:** 1 1/4" plug and chain waste, slotted tail  
**TSWC107:** 1 1/4" click clack waste, slotted



### Material

Vitreous china to BS 3402

### Finish

Alpine White

### Size

450 x 360 x 185mm

### Weight

10.1kg

