

# Omnicare

## Thermostatic Electric Shower

### Product Codes

Omnicare 8.5Kw	TEOMN81
Omnicare 9.5Kw	TEOMN91
Omnicare 8.5Kw with 2m Hose	TEOMN281
Omnicare 9.5Kw with 2m Hose	TEOMN291

### Installation

- Multiple pipe and cable entry points, a generous footprint and a fixing hole kit, the Omnicare is designed with ease of replacement in mind

### Commissioning

- Simple 2 minute commissioning process

### End User

- Large soft press start/stop button
- Power on illumination along with audible feedback allows ease of use for all users
- Easy to use low resistance centralised temperature control
- Safe-set™ allows the maximum temperature to be set internally whilst allowing full rotation of temperature dial
- Constantly regulating water temperature within +/- 1°C, (BEAB Care standard)
- Flexible accessories – Comes with extended 680mm riser rail kit with adjustable fixing centres and extended 1.5m anti twist shower hose
- Easy clean inclusive 5 spray pattern showerhead with removable spray plate



SAFETY CRITICAL  
TRITON ACCESSORY



# Omnicare

## Thermostatic Electric Shower

### Shower

Temperature stability	Thermostatic +/-1°C with Tri-Therm™
Power ratings	8.5kW & 9.5kW (at 240V)
Finish	White
Adjustable max temperature	41°C or 43°C with Safe-Set™
Timed auto shutdown	5, 10, 20 or 30 mins (default 20 mins)
Start/stop type	Electronic soft press button
	Start/stop button & temperature control dial
Audible feedback	Start/stop and timer end confirmation
Visual indicators	Power-on/timer/low flow illumination
Water connection	15mm swivel inlet (up/down)
Terminal block	16mm max cable
Waste pump connection(s)	Analogue
Water supply	Mains cold water
Water pressure min	Recommended 1.0 bar (BEAB Care) @ 8 l/min
Water pressure max	10 bar (static)
Removable pipe/cable trims	Top & bottom (15mm pipework & 38mm cable trunking)
Other installation aid(s)	Wall mounting template

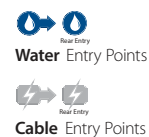
### Riser Rail Kit

Standard version	
Length	680mm
Diameter	20.6mm
Material	Stainless Steel
Finish	Polished
Hose	1.5m Anti-twist Chrome

### IMPORTANT MAINTENANCE NOTICE

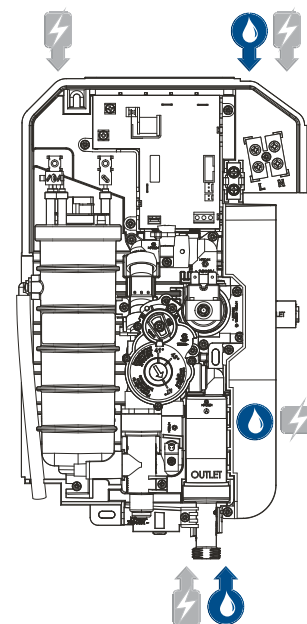
Replacing specified Triton accessories for this Omnicare unit will aid optimum performance and keep the unit within the allocated guarantee period

#### Diagram Key:



#### Dimensions:

H: 361mm  
W: 244mm  
D: 112mm



Omnicare Ultra Kit  
GAUF1



1.5m Anti-twist Hose - Chrome  
REHOSE150C



Inclusive Showerhead  
(5 Spray Pattern)  
TSHECAREWHT

Contact our specification team

Call: 02476 324 776 | Email: [specification@tritonshowers.co.uk](mailto:specification@tritonshowers.co.uk) | Web: [www.tritonshowers/specifiers](http://www.tritonshowers/specifiers)

(1) Tri-Therm™ constantly regulating flow, blending water and adjusting the power to precisely control the showering temperature.  
(2) Safe-Set™ tamper proof maximum temperature setting whilst allowing full rotation of the temperature dial.  
(3) The shower will operate down to 0.5 bar at reduced flow rates.