

Product information

T80Z Thermosatic Fast-Fit

Electric Shower

TRITON

See you first thing Britain



BEAB
Approved

Intertek

CE



KM 53019
BS EN 60335-2-35

- TWO YEAR GUARANTEE**
2
- THERMOSTATIC**
T
- COLD MAINS SUITABLE**
C
- EASY WIRE**
E
- ANTI-TWIST HOSE**
A
- RUB CLEAN SHOWERHEAD**
R
- ANTI-SCALE HEATER**
A



T80Z Thermostatic Fast-Fit

Electric Shower



See you first thing Britain


Features


The Ultimate Replacement Shower

The T80Z Thermostatic Fast-Fit uses the Dura-Flow™ technology for a longer lasting shower, making it ideal for hard water areas. With all the installation benefits of the Fast-Fit but with precise thermostatic temperature control, this T80 is ideal for busy households where someone is always using water, whether flushing the toilet or running a tap. Whatever is happening, the T80Z Thermostatic Fast-Fit will maintain your desired showering temperature.

- 8 water and 6 cable entry points
- Push-Button Start/Stop – Retains you preferred power and temperature settings
- Swing-Fit™ for left and right-hand side cable connections
- Swivel Fit™ for left and right -hand side water connections
- Adjustable Shower Kit – Ideal for replacements
- 1.25m Anti-Twist Hose – Designed to avoid kinks
- Easy Clean – 5 spray pattern shower head

Diagram Key:

 **Water Entry Points**

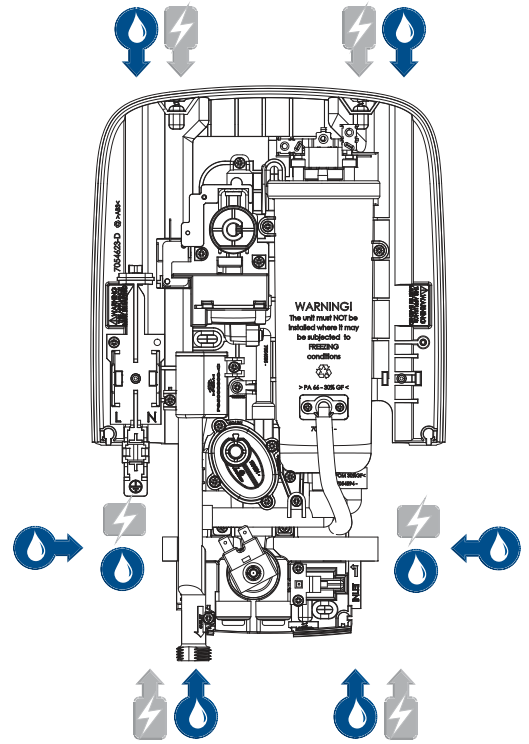
 **Cable Entry Points**

Dimensions:

H: 345mm

W: 226mm

D: 120mm



Product Codes

T80Z Thermostatic Fast-Fit 8.5kW	SP8008ZFFTHM
T80Z Thermostatic Fast-Fit 9.5kW	SP8009ZFFTHM
T80Z Thermostatic Fast-Fit 10.5kW	SP8001ZFFTHM

Shower

Temperature Stability	Thermostatic +/-2°C
Power Ratings	8.5kW, 9.5kW, 10.5kW
Finish	White with Chrome flashes
Control(s)	Separate temperature and flow controls
Visual indicators	Low flow illumination & dial markings
Dual water connection	15mm wide compression
Swingfit™ terminal block	16mm max cable
Water Supply	Mains cold water
Water pressure min	1 bar (running at 8 l/min)*
Water pressure max	10 bar (static)
Removable pipe/cable trims	Top & bottom (15mm pipework & 38mm cable trunking)
Other installation aid(s)	Wall mounting template

*10.5kW: 1.5bar (running at 11 l/min)



Contact our Customer Services Team

Email: technical@tritonshowers.co.uk | Customer Service: +44 (0) 2476 378 320