

# T80Z Fast-Fit

Electric Shower

## Product Codes

|                      |           |
|----------------------|-----------|
| T80Z Fast-Fit 7.5kW  | SP8007ZFF |
| T80Z Fast-Fit 8.5kW  | SP8008ZFF |
| T80Z Fast-Fit 9.5kW  | SP8009ZFF |
| T80Z Fast-Fit 10.5kW | SP8001ZFF |

## Installation

- Inlet connection: 15mm diameter
- Outlet connection: 1/2" BSP male thread
- Generous footprint will cover the original T80Z Fast-Fit as well as most competitor models
- 8 water and 6 cable entry points
- Easy pipe connection either left or right, 15mm compression fitting
- Wire free cover fit
- Easy fit entry trims which can be installed with the shower in situ, no tools required
- Swing-Fit™ for left and right-hand side cable connections
- Swivel Fit™ for left and right-hand side water connections

## Commissioning

- Simple 2 minute commissioning process

## End User

- Separate flow and temperature controls
- Push-Button Start/Stop – Retains you preferred power and temperature setting
- Easy Clean 5 spray pattern shower head with removable spray plate
- Efficient A energy rating

## Flexible Shower Kit

- Adjustable top bracket Shower Kit – Ideal for replacements
- 1.25m Anti-Twist Hose – Designed to avoid twists and kinks



# T80Z Fast-Fit

## Electric Shower

### Shower

|                               |   |
|-------------------------------|---|
| Temperature stability         | Stabilised  |
| Power ratings                 | 7.5kW, 8.5kW, 9.5kW, 10.5kW (240v)  |
| Finish                        | White   |
| Controls                      | Start/stop button & temperature control dial  |
| Visual indicators             | Power-on/low pressure indicator   |
| Inlet Connection              | 15mm compression  |
| Water Entry Points            | Top, bottom, side bottom, back (left hand side unit)<br>Top, bottom, side bottom, back (right hand side unit) |
| Cable Entry Points            | Top, bottom, back (left hand side unit)<br>Top, bottom, back (right hand side unit)                           |
| Outlet Connection             | ½" BSP  |
| Plumbing System Compatibility | Cold mains only   |
| Minimum Running Pressure/Flow | 1 bar at 8l/min<br>1.5 bar at 11l/min for 10.5kW*   |
| Maximum Static Pressure       | 10 Bar  |
| Approvals, Complies with      | BEAB, CE, BSI Kitemark  |
| Guarantee                     | 2 years   |

#### Diagram Key:



Water Entry Points



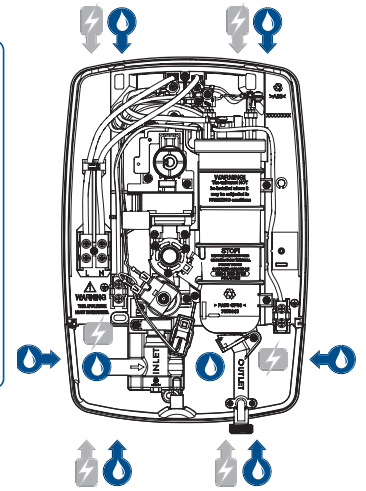
Cable Entry Points

#### Dimensions:

H: 334mm

W: 225mm

D: 104mm



### Riser Rail Kit

#### Standard version

|          |                         |
|----------|-------------------------|
| Length   | 530mm                   |
| Diameter | 19mm                    |
| Material | Stainless Steel         |
| Finish   | Polished                |
| Hose     | 1.25m Anti-twist Chrome |



Lewis Shower Riser Rail  
TSKLEWWC

### IMPORTANT MAINTENANCE NOTICE

Replacing specified Triton accessories for this T80Z Fast-Fit unit will aid optimum performance and keep the unit within the allocated guarantee period



1.25m Anti-twist Hose - Chrome  
TSHG1203



Showerhead (5 Spray Pattern)  
TSHE8RCWHT

Contact our specification team

Call: 02476 324 776 | Email: [specification@tritonshowers.co.uk](mailto:specification@tritonshowers.co.uk) | Web: [www.tritonshowers.co.uk/specifiers](http://www.tritonshowers.co.uk/specifiers)